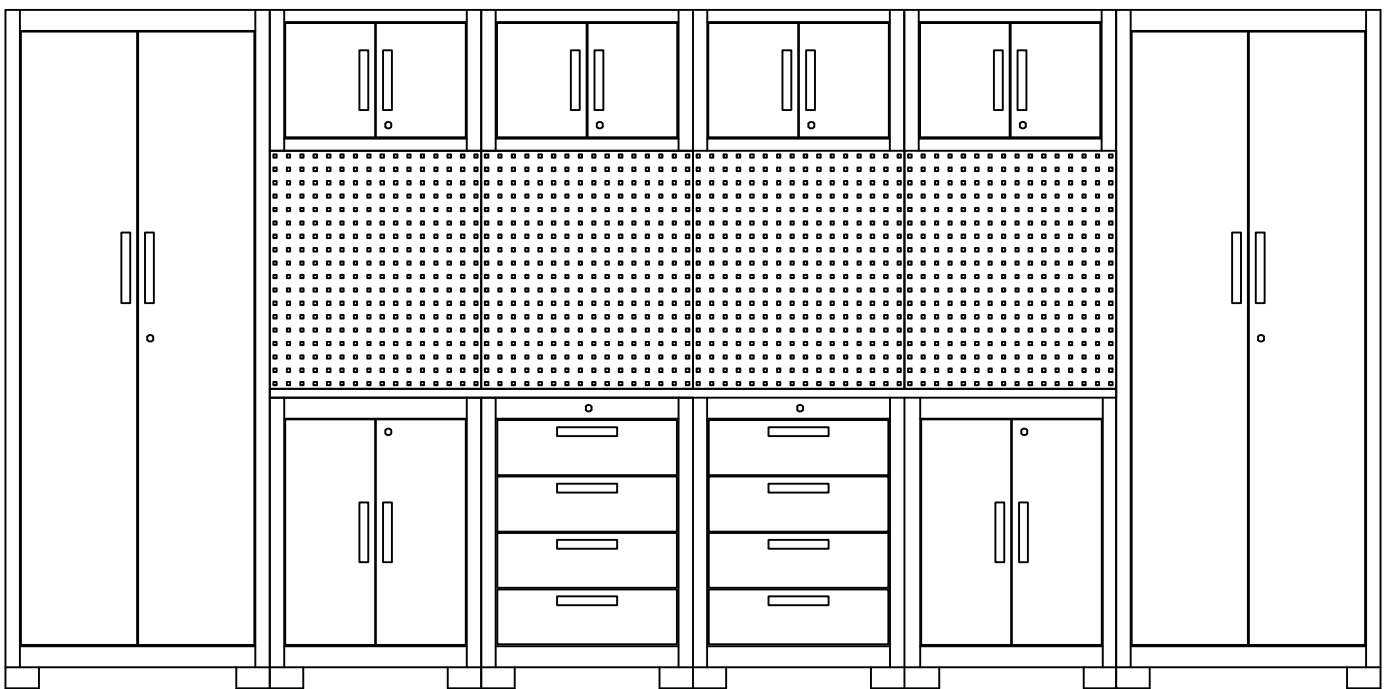
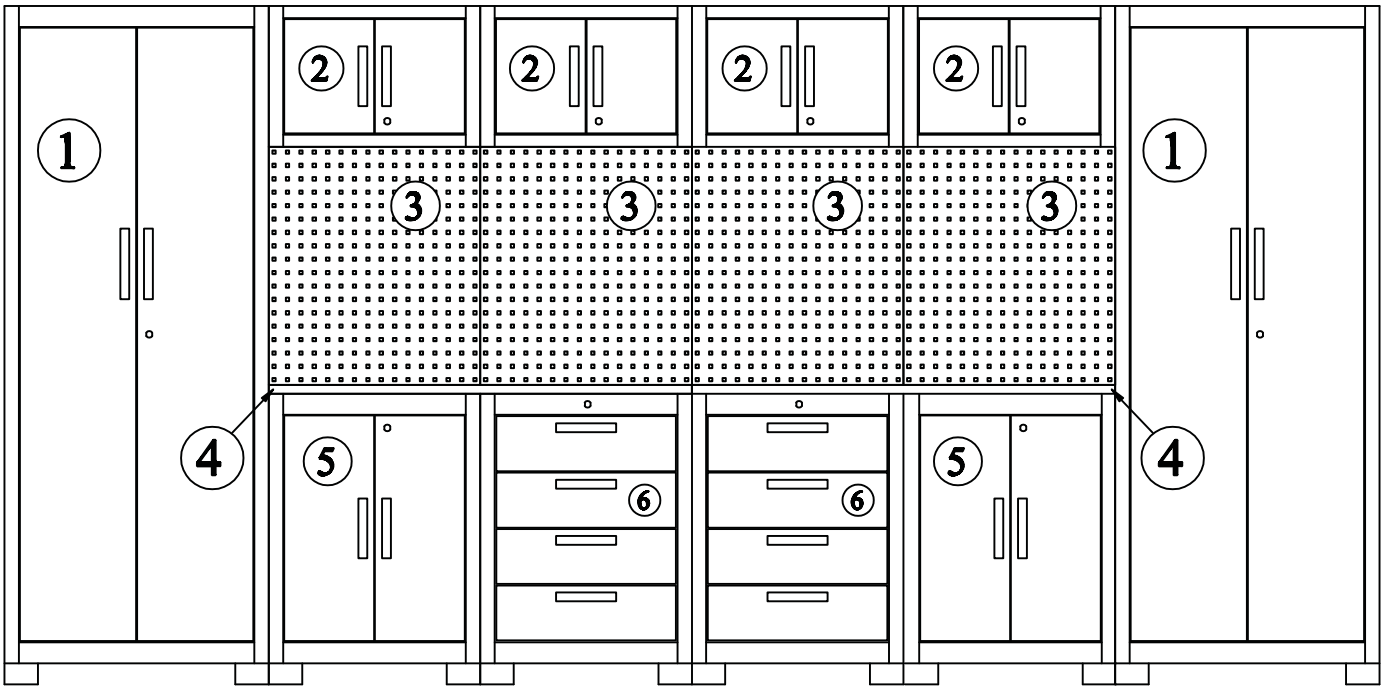
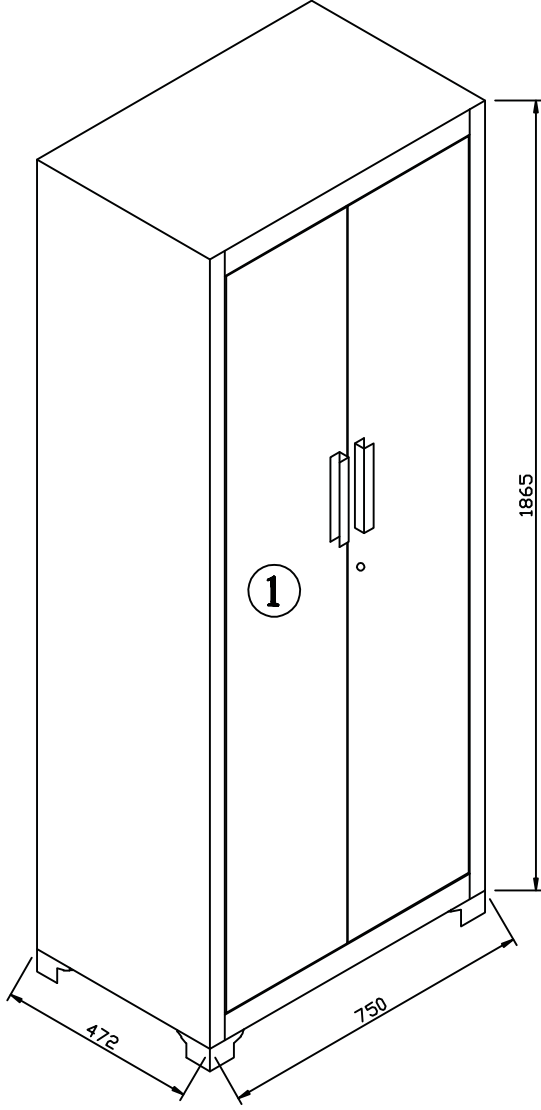


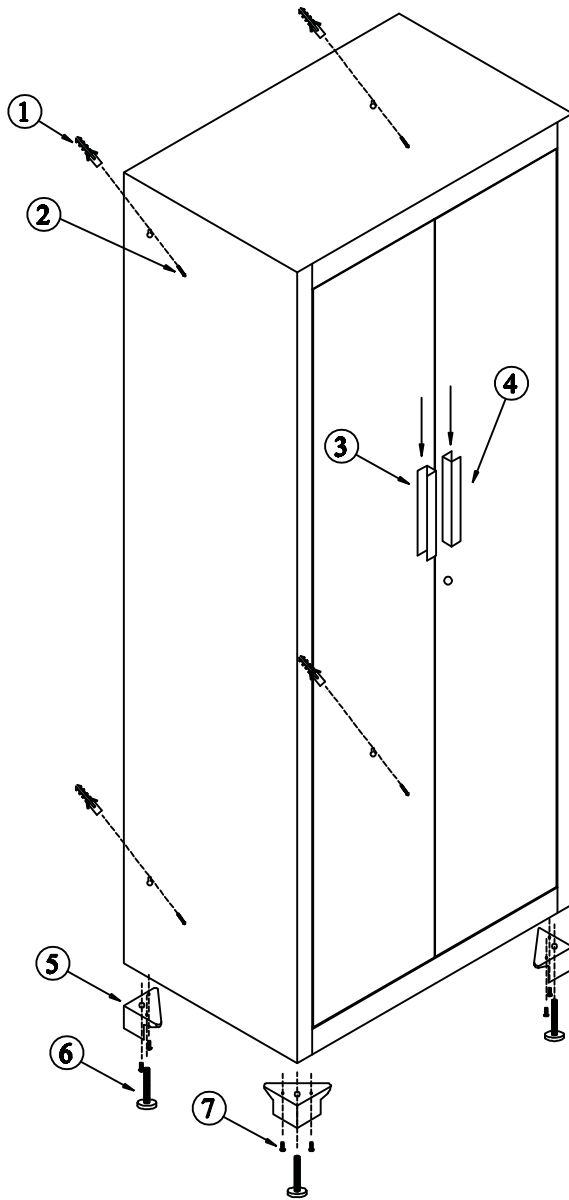









16 PCS GARAGE TOOL CABINET

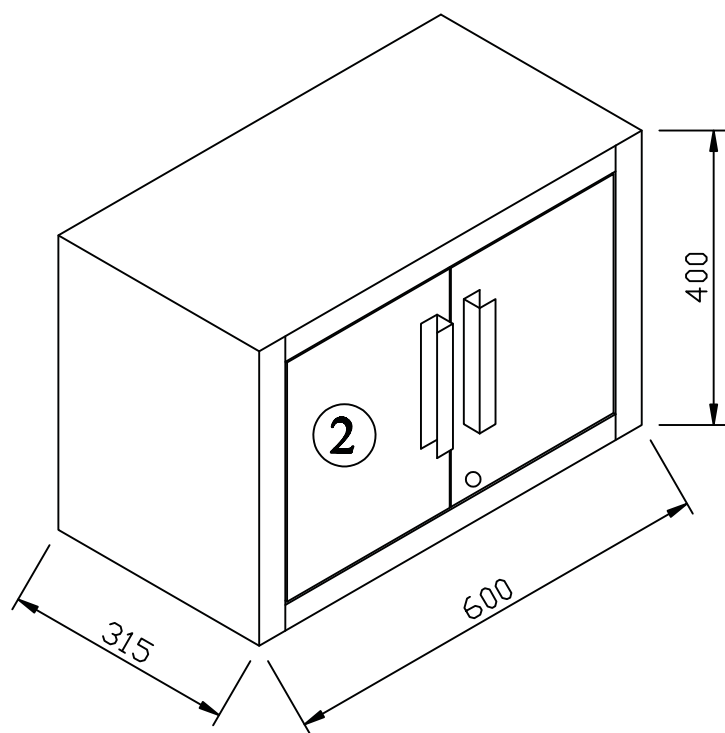


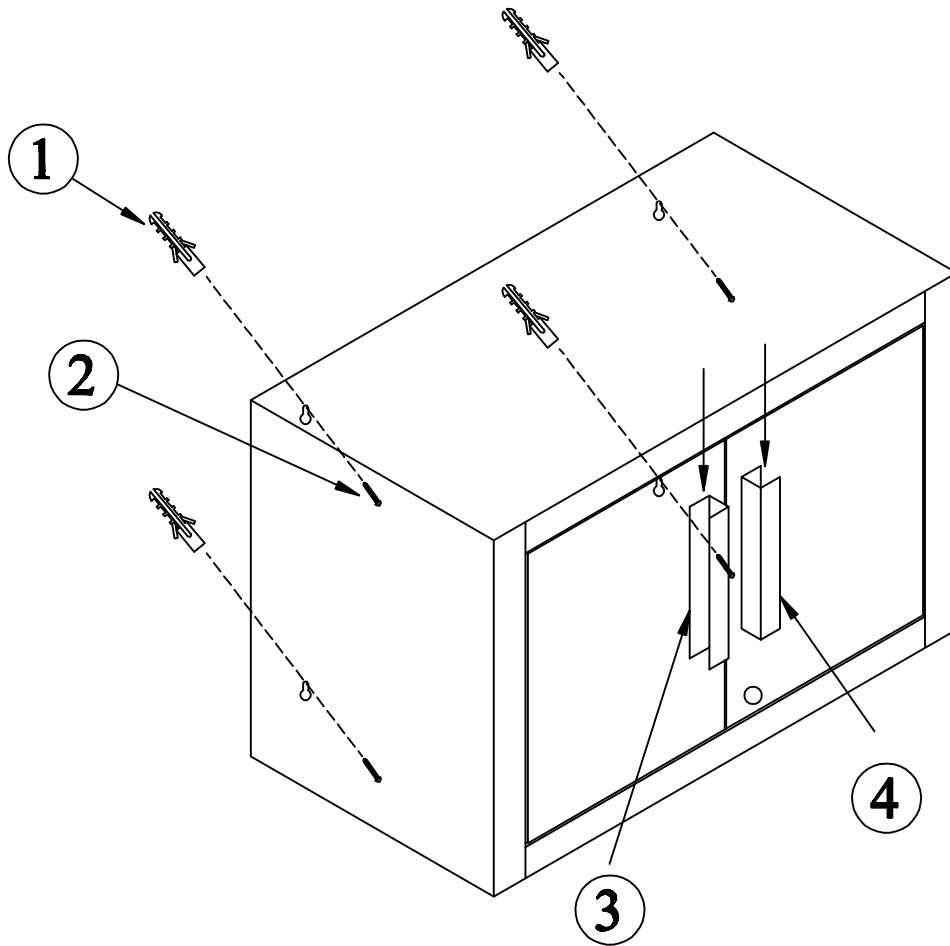










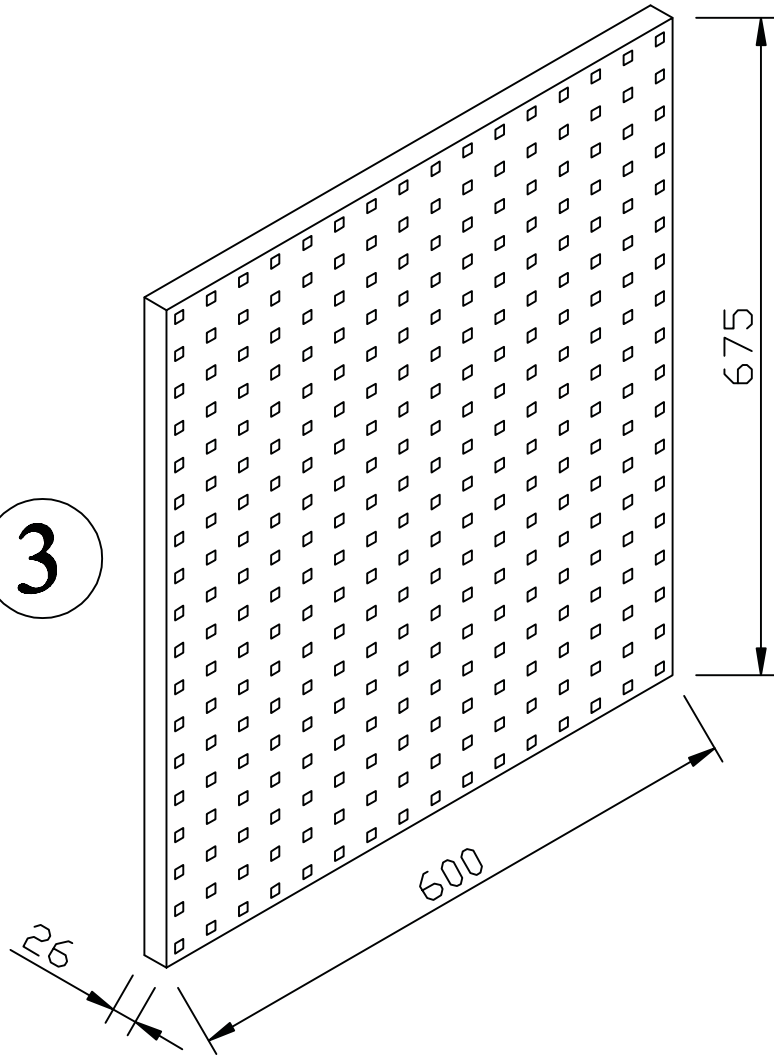
	PART	QUANTITY
1.	 $\varnothing 8$	4 x2
2.	 M6X30	4 x2
3.		1 x2
4.		1 x2
5.		4 x2
6.		4 x2
7.	 M6X12	8 x2

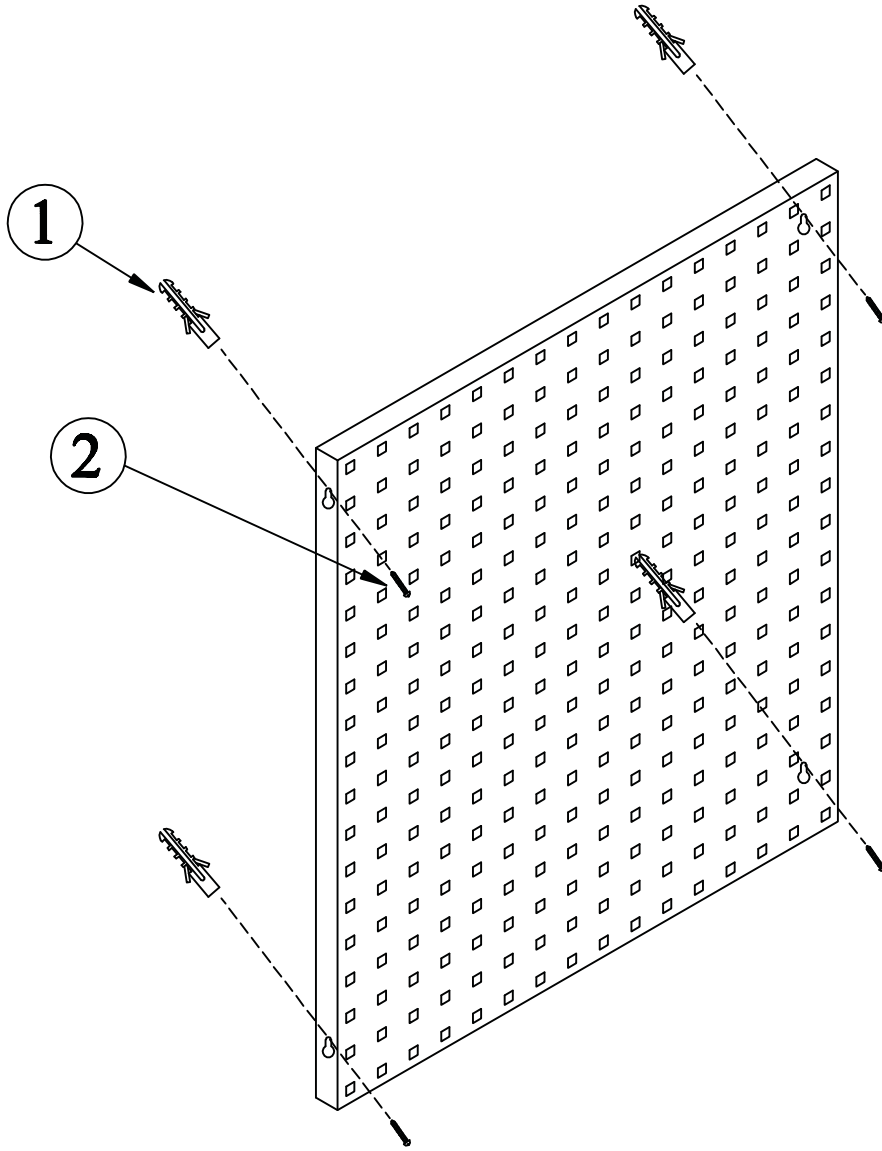






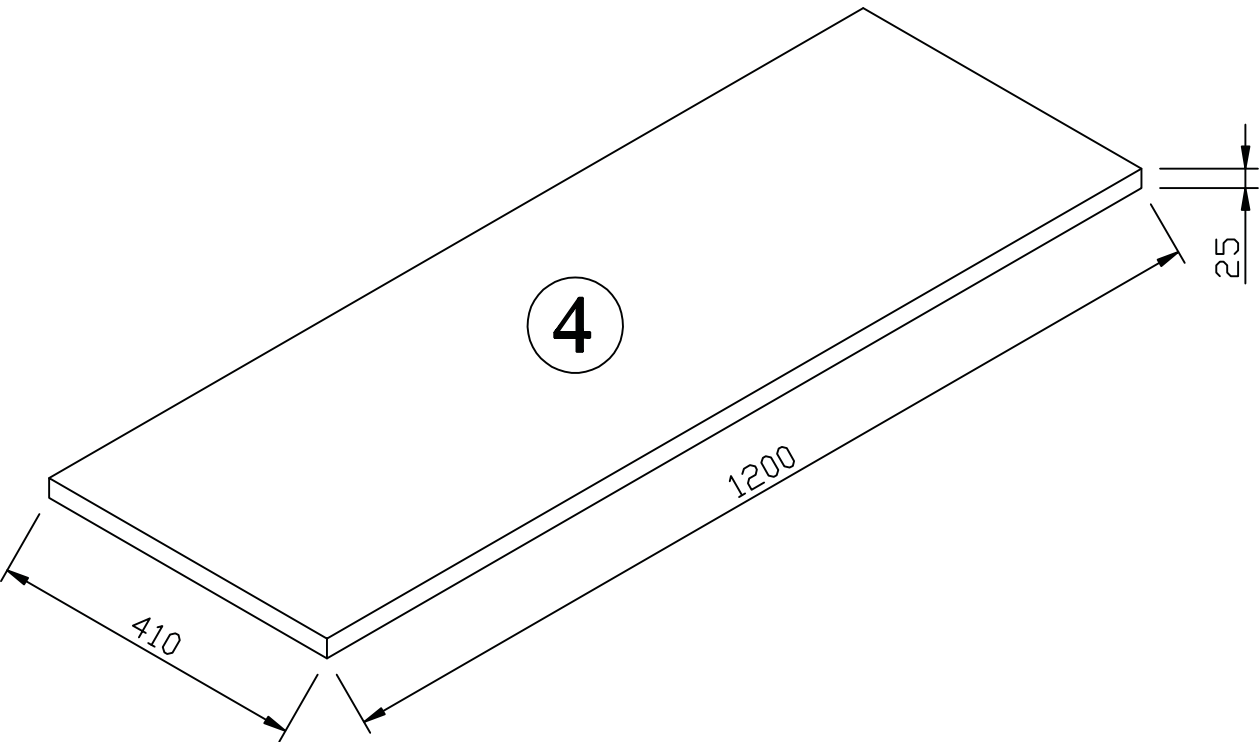
	PART	QUANTITY
1.	 $\varnothing 8$	4 x2
2.	 M6X30	4 x2
3.		1 x2
4.		1 x2

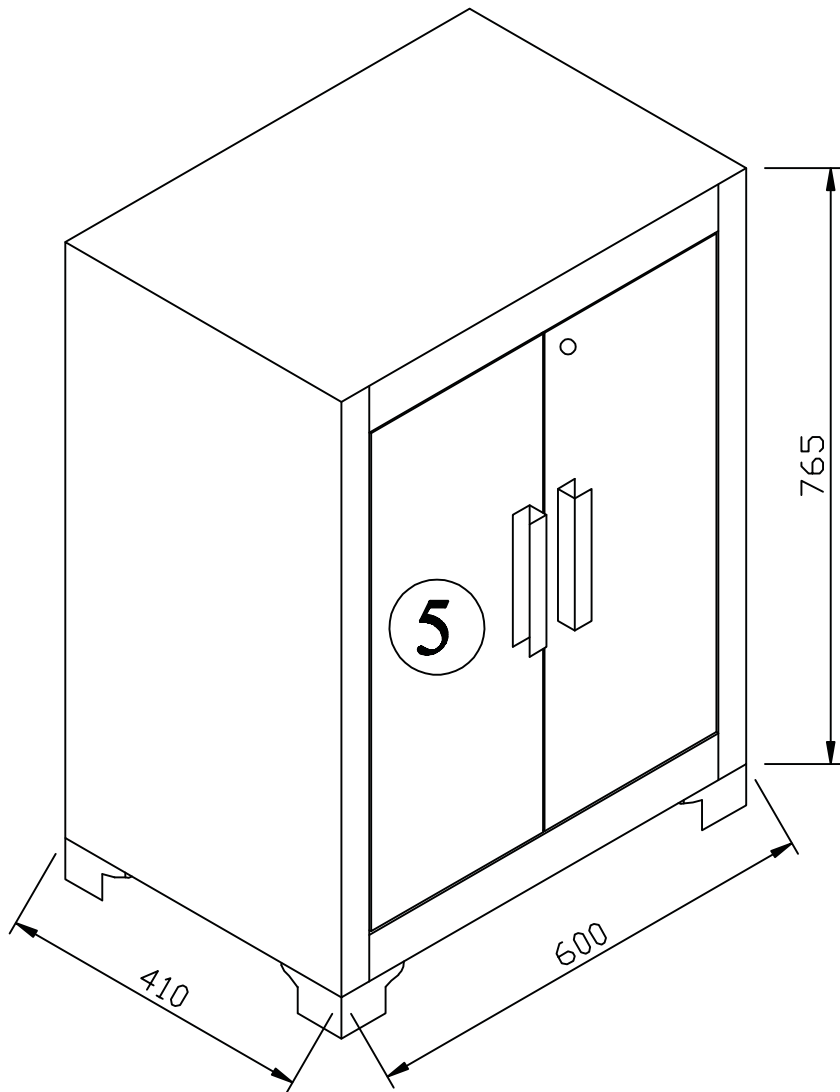
3

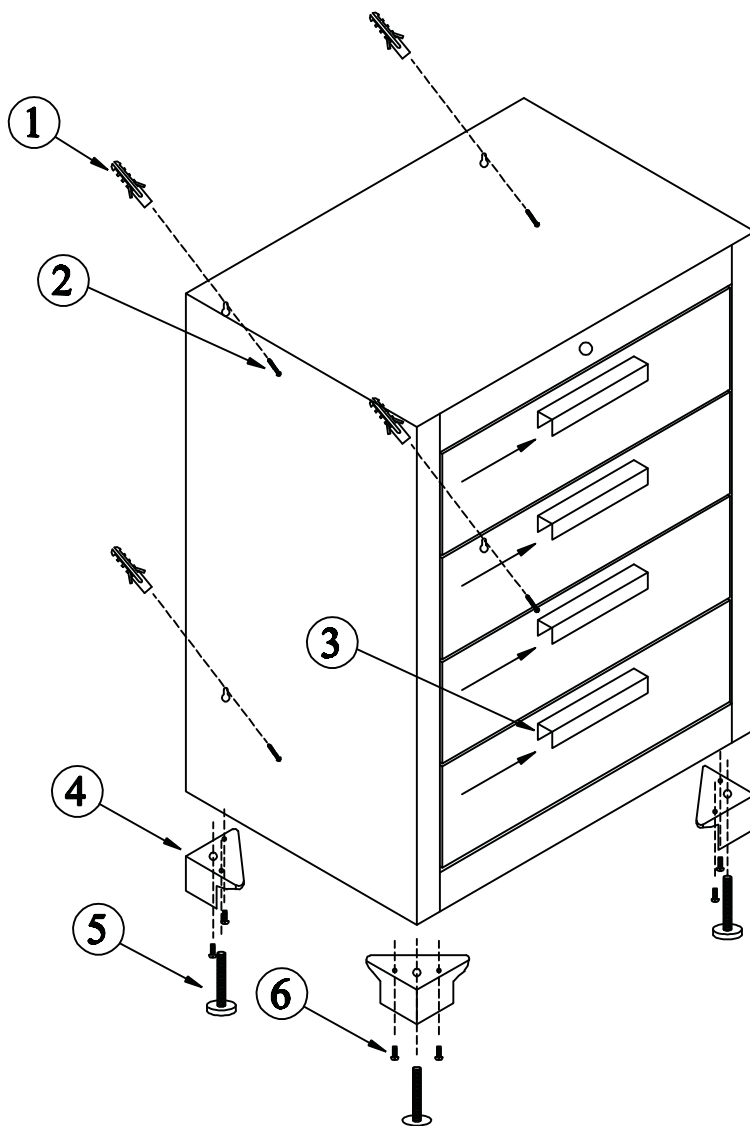










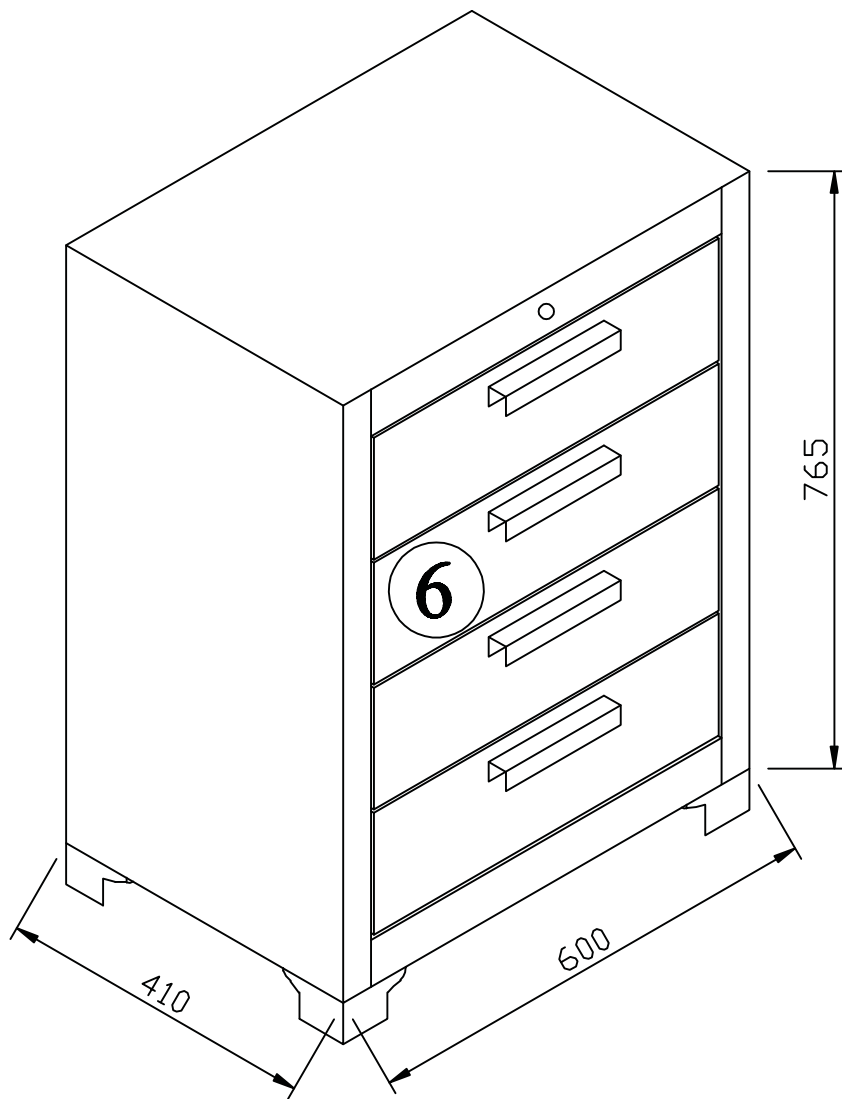
	PART	QUANTITY
1.	 $\varnothing 8$	4 x2
2.	 M6X30	4 x2

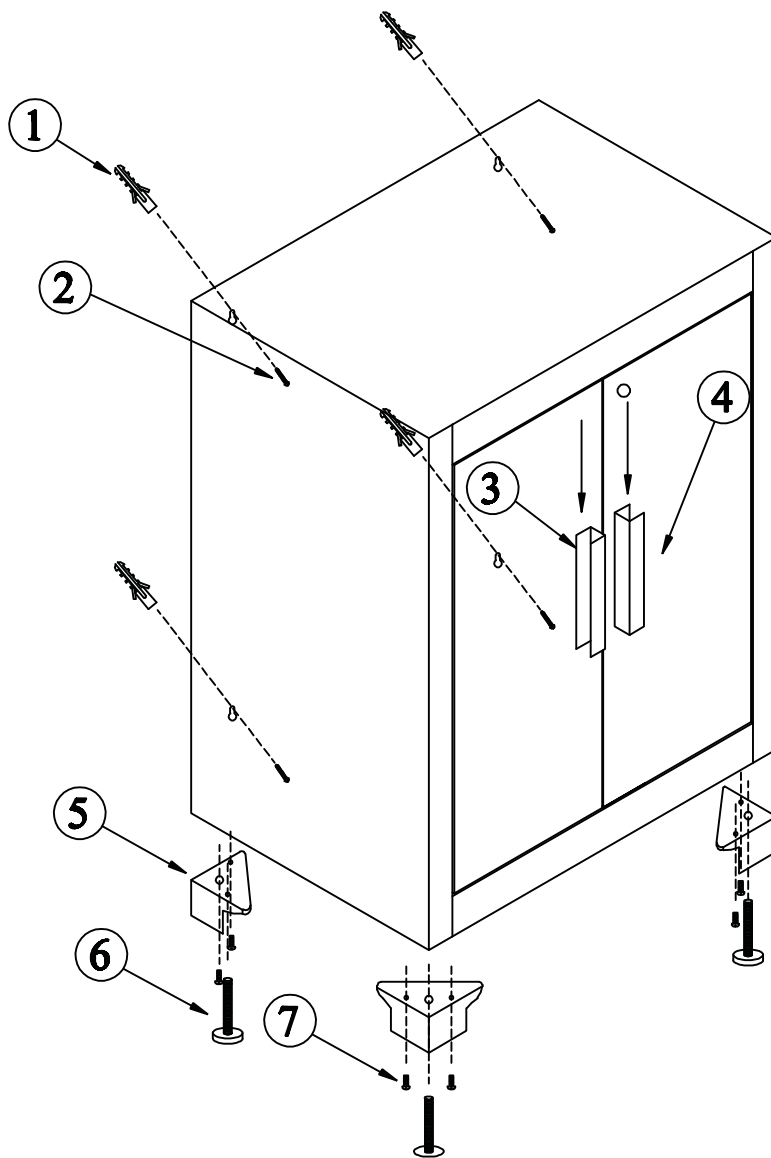








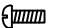




	PART	QUANTITY
1.	 $\varnothing 8$	4 x2
2.	 M6X30	4 x2
3.		4 x2
4.		4 x2
5.		4 x2
6.	 M6X12	8 x2





	PART	QUANTITY
1.	 $\varnothing 8$	4 x2
2.	 M6X30	4 x2
3.		1 x2
4.		1 x2
5.		4 x2
6.		4 x2
7.	 M6X12	8 x2